



# MSG 90.3 BUS

Comfort seat with  
pneumatic suspension



Images may differ from series fittings

Your GRAMMER  
Distributor:



Unit 1 Forward Park, Sheene Road, Beaumont Leys, Leicester, LE4 1BF  
Tel: 0116 216 9910 | [info@grammer.co.uk](mailto:info@grammer.co.uk) | [www.grammer.co.uk](http://www.grammer.co.uk)



# TECHNICAL DATA

## MSG 90.3 BUS

Comfort regardless of the available space:  
 The MSG 90.3 BUS is specially designed for tight spaces. The driver can make optimum use of the available space thanks to an adjustable headrest and numerous comfort functions such as variable shock absorber, height and seat cushion settings. As well as this, pneumatic lumbar supports provide the best possible lateral comfort.



Pneumatic suspension



Automatic weight adjustment



Pneumatic lumbar support



Adjustable shock absorber



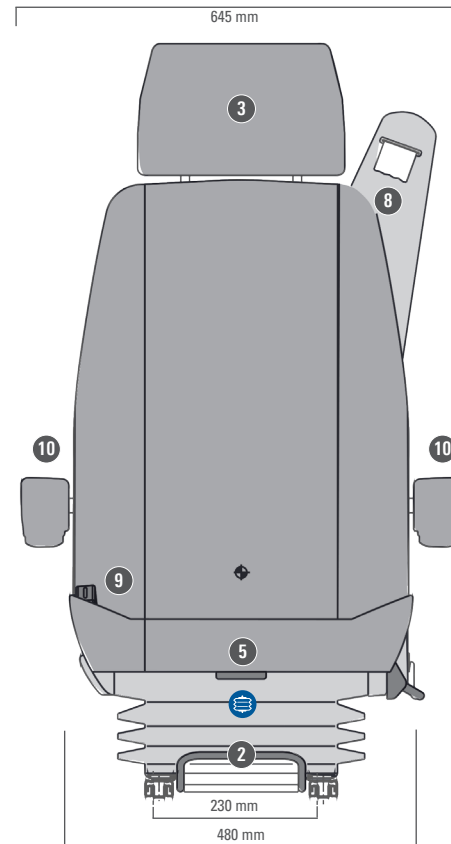
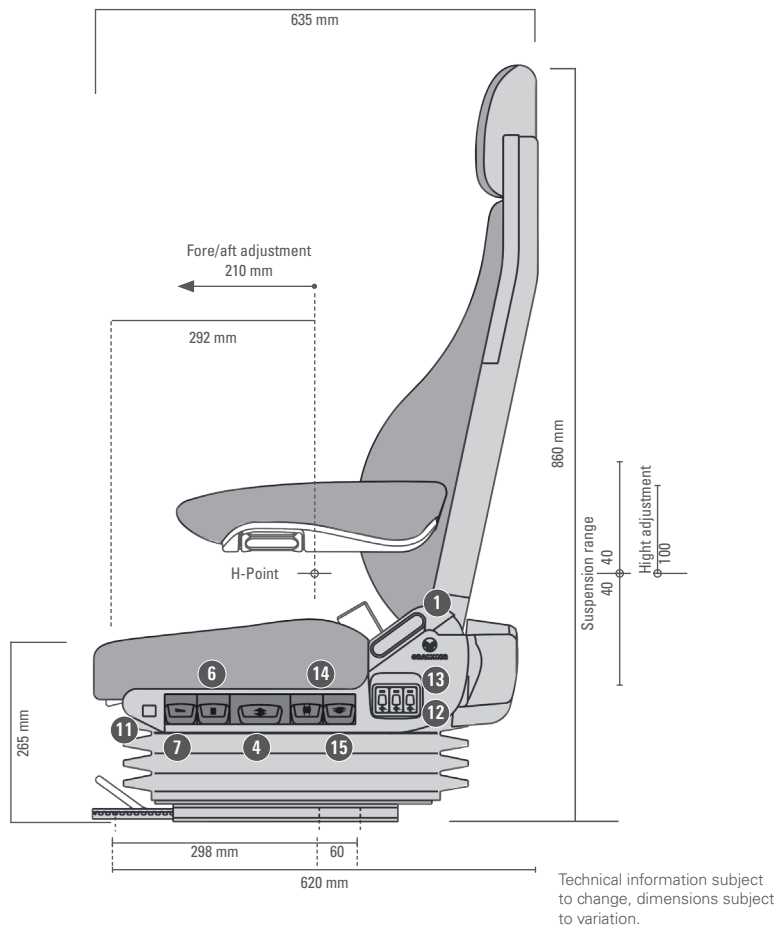
Seat heating

**Features** ● Standard equipment ○ Optional extras

	MSG 90.3 P	MSG 90.3 PG
Suspension, pneumatic	●	●
① Backrest angle adjustment	●	●
② Fore/aft adjustment	●	●
③ Headrest	●	●
④ Height adjustment, 100 mm	●	●
⑤ Seat cushion depth, adjustable	●	●
⑥ Shock absorber, adjustable	●	●
Suspension stroke, 80 mm	●	●
⑦ Tilt adjustment	●	●
⑧ 3-point safety belt, integrated	●	●

OPTIONAL FEATURES	MSG 90.3 P	MSG 90.3 PG
⑨ 2-point safety belt, integrated	○	
⑩ High comfort armrests, foldable with adjustable angle	○	○
⑪ Seat heating	○	○
⑫ Side support adjustment, pneumatic	○	○
⑬ Lumbar support, pneumatic	○	○
⑭ Turntable	○	○
⑮ Quick down	○	○

### Dimensions (installation dimensions)



GRAMMER AG Commercial Vehicles · P.O. Box 14 54 · 92204 Amberg · Germany · www.grammer.com

08/17 Ffi © GRAMMER AG 2017