



ACTIMO® XXM

High-Comfort Seat with
Extra Wide Mechanical Suspension



CAPITALseating

www.capitalseating.co.uk

tel: +44 (0)116 216 9910 | email: grammer@capitalseating.co.uk



GRAMMER

TECHNICAL DATA

ACTIMO® XXM

Thanks to its extra-wide suspension, the Actimo XXM is predestined for use in large, heavy machines. In conjunction with the upper seat section, the mechanically adjustable suspension can reliably support large multifunction armrests and heavy attachments while continuing to deliver good comfort under even the roughest work conditions. A combined weight and height adjustment mechanism makes it easy to optimally set the seat to the operator's weight using a ratcheting handle.



Mechanical Suspension



Mechanical Lumbar Support



Manual Weight Adjustment



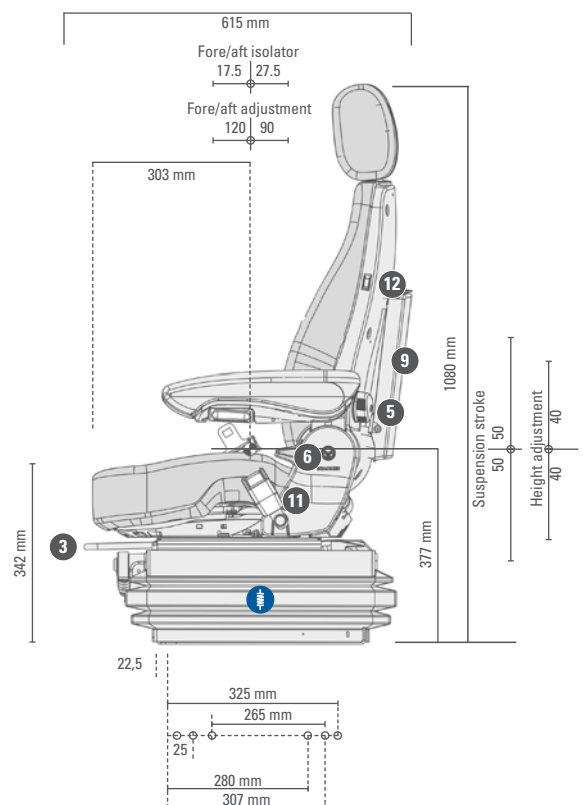
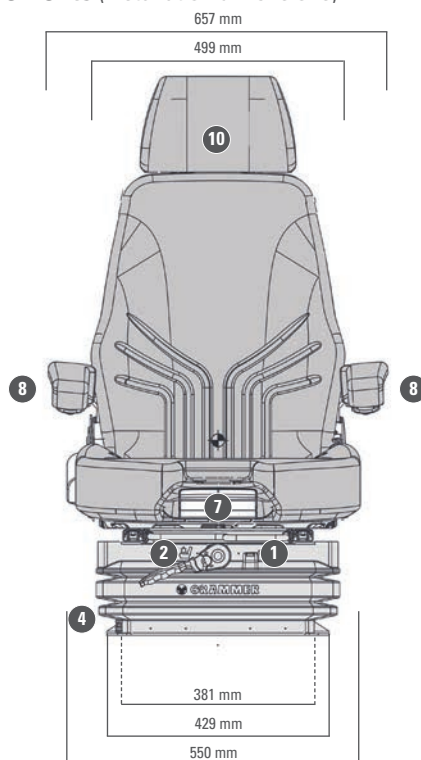
Fore/aft Isolator

Features ● Standard ○ Optional

	ACTIMO® XXM
Article no. fabric	1310555
Shock absorber nonadjustable	●
Suspension	
● Mechanical Suspension extra wide, strengthened construction	●
Suspension stroke 80 mm	●
① Weight adjustment 80 - 180 kg, mechanical	●
② Height adjustment 80 mm infinite (mechanical)	●
③ Fore/aft adjustment 210 mm	●
④ Fore/aft isolator lockable	●
⑤ Lumbar support mechanical	●
⑥ Adjustable backrest angle	●
Seat cushion width	550 mm

	ACTIMO® XXM
⑦ Adjustable seat cushion depth and angle	●
OPTIONAL FEATURES	
⑧ Armrests, height-adjustable and foldable	
65 mm x 270 mm	○
80 mm x 320 mm, adjustable angle	○
80 mm x 380 mm, adjustable angle	○
⑨ Document box	○
⑩ Headrest	○
⑪ Restraint system	○
Lateral suspension	○
⑫ Seat heating	○
Operator presence switch (OPS)	○

Measurements (installation dimensions)



All dimensions in mm.
Subject to technical changes.