



# ACTIMO® EVOLUTION

High-End Premium Seat with  
Electronical Weight Adjustment



NEW DESIGN



**CAPITAL**seating

[www.capitalseating.co.uk](http://www.capitalseating.co.uk)

tel: +44 (0)116 216 9910 | email: [grammer@capitalseating.co.uk](mailto:grammer@capitalseating.co.uk)



**GRAMMER**

# TECHNICAL DATA

## ACTIMO® EVOLUTION

The Actimo Evolution with new design and new functions boasts a deluxe package of comfort-enhancing features. The active seat climate control system has now become more effective with an up to 40% increase in performance compared with the previous climate control system. The 2-stage seat heating also provides pleasant warmth. The pneumatic side contour control in the backrest cushion allows the seat to be adjusted even more individually to the driver's requirements and offering appreciably improved side support. Thanks to electronic weight adjustment, the seat fully automatically sets itself to the operator's weight so the seat can unfold its full potential by optimally utilizing the available suspension travel – thus delivering even greater ergonomics and safety.

**Features** ● Standard ○ Optional



Pneumatic Suspension



Low-Frequency Suspension



Pneumatic Lumbar Support



Adjustable Shock Absorber



Adjustable Side Support



Automatic Positioning System



Electronic Weight Adjustment



Fore/Aft Isolator

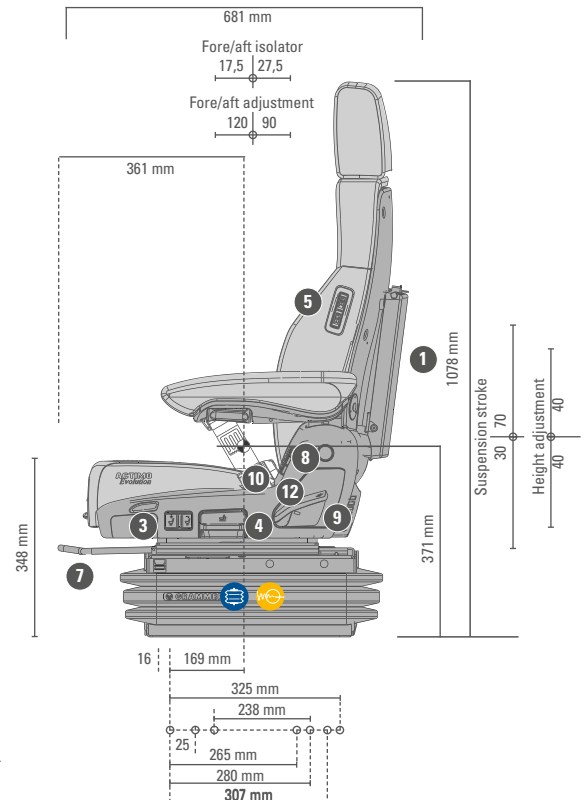
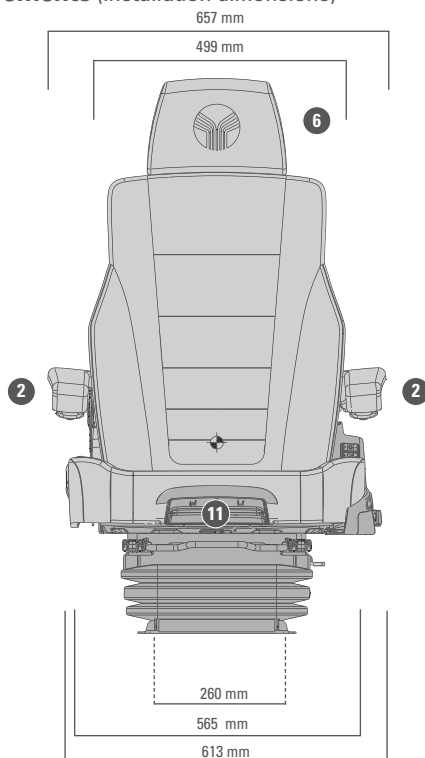


Active Climate System

	ACTIMO® EVOLUTION
<b>Article no. fabric</b>	
<b>Compressor 12 V</b>	1388490
<b>Compressor 24 V</b>	1462953
① <b>Document box</b>	●
<b>APS (Automatic positioning system)</b>	●
② <b>Armrests, height-adjustable and foldable</b> 80 x 380 mm, adjustable angle	●
③ <b>Shock absorber adjustable</b>	●
<b>Suspension</b>	
Pneumatic suspension with compressor	●
Low-frequency suspension	●
<b>Suspension stroke 100 mm</b>	●
<b>Weight adjustment</b>	●
50 - 130 kg, electronic	

	ACTIMO® EVOLUTION
④ <b>Height adjustment</b> 80 mm infinite (air-assisted)	●
⑤ <b>Climate system active</b> <b>Seat heating, 2-steps</b>	●
⑥ <b>Headrest</b>	●
⑦ <b>Fore/aft adjustment 210 mm</b> <b>Fore/aft isolator</b>	●
⑧ <b>Lumbar support, pneumatic</b>	●
⑨ <b>Adjustable backrest angle</b>	●
⑩ <b>Restraint system</b>	●
<b>Seat cushion width</b>	550 mm
⑪ <b>Adjustable seat cushion depth and angle</b>	●
<b>Operator presence switch (OPS)</b>	●
⑫ <b>Adjustable side support</b>	●

### Measurements (installation dimensions)



All dimensions in mm.  
Subject to technical changes.